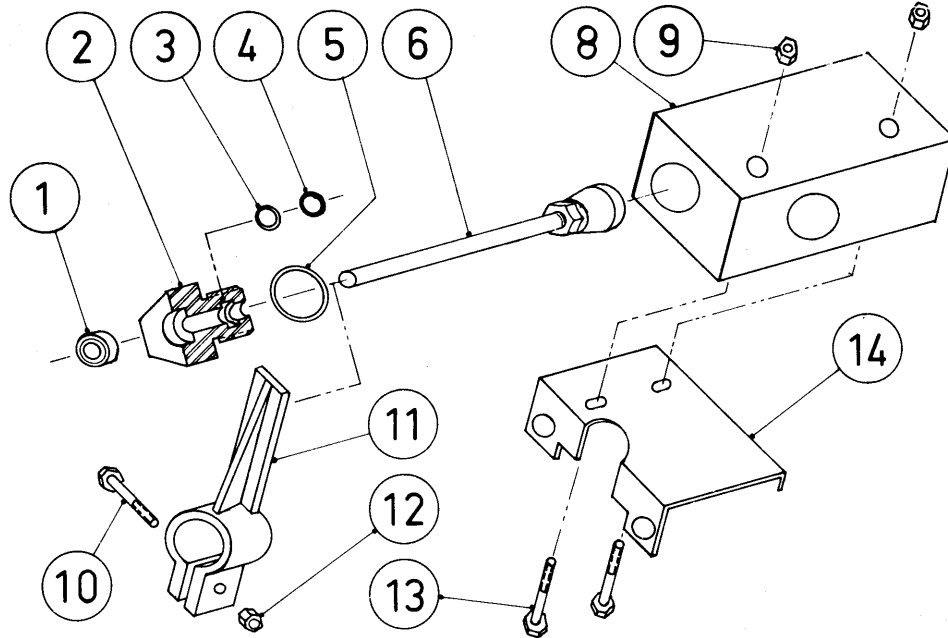


REPAIR PARTS LIST

HSC VALVE HYDRAULIC STROKE CONTROL KIT

Bulletin No: 21.4F1-86
Supersedes: NEW



REF. NO.	CODE NO.	MODEL				DESCRIPTION	
		1-1/4 ROD -HSC 1	1-3/8 ROD -HSC 2	1-1/2 ROD -HSC 3	1-1/4 ROD -HSC 4		
1	199098	1	1	1	1	Seal	Essuie de tige
2	494665	1	1	1	1	Rod Cap	Chapeau de tige
3	197812	1	1	1	1	Back up Washer	Laveuse de reserve
4	198509	1	1	1	1	O Ring	Joint torique
5	198581	1	1	1	1	O Ring	Joint torique
6	491506	1	1	1	1	Poppet Assembly	Poupee de assemblage
8	492547	1	1	1	1	Stroke Control Body	Corps de soupape
9	128210	2	2	2	2	Nut, 1/4 UNC	Ecrou, 1/4 UNC
10	119800	1	1	1	1	Bolt, 5/16 UNC x 1-1/2	Boulon, 5/16 UNC x 1-1/2
11	494935	1			1	Actuator	Actuateur
11	494936		1			Actuator	Actuateur
11	494937			1		Actuator	Actuateur
12	128220	1	1	1	1	Nut, 5/16 UNC	Ecrou, 5/16 UNC
13	119600	2	2	2	2	Bolt, 1/4 UNC x 2-1/4	Boulon, 1/4 UNC x 2-1/4
14	419534	1				Stroke Control Holder	Support
14	419535		1			Stroke Control Holder	Support
14	419536			1		Stroke Control Holder	Support
14	419504				1	Stroke Control Holder	Support
*	492546	1	1	1	1	Stroke Control Valve Unit (Items 1 to 8)	Soupape Complete (Pieces 1 a 8)
*	492996	1	1	1	1	Seal Repair Kit (Items 1, 3, 4, 5 & 6)	Trousse de Depannage de Joint (Pieces 1,3,4,5 & 6)

228577

MONARCH INDUSTRIES