

# REPAIR PARTS LIST

## TP SERIES Double Acting Hydraulic Cylinder A.S.A.E.08

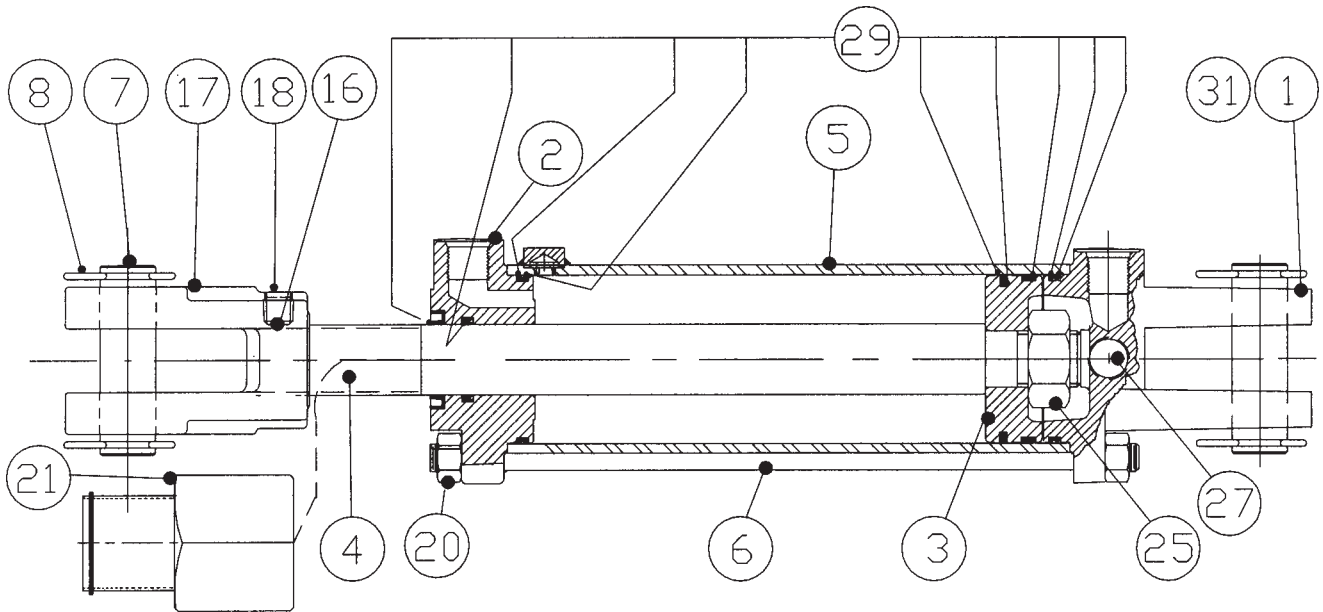
Bulletin No. 21.1F7-93-0  
Supersedes:



REF	QTY	DESCRIPTION	25TP	27TP	30TP	32TP	35TP
1	1	CLEVIS CAP 1"PIN	492674	492660	492675	492662	492676
3	1	PISTON	494726	494727	494719	494737	494738
7&8	1	PIN (2) 1"DIA.	640091	640091	640091	640091	640091
16	1	THRD. LOCK	498006	498006	498006	498006	498006
17	1	ROD CLEVIS 1" PIN	492650	492650	492652	492652	492652
18	1	SET SCREW	148390	148390	148390	148390	148390
20	8	NUT TIE ROD	128230	128250	128250	128271	128271
21	1	STR. CONTROL	638655	638655	638656	638656	638656
	1	STR. CONTROL 3STG		638653			
25	1	NUT PISTON	130556	130556	130560	130560	130560
27	1	PLUG	186562	186562	186562	186562	186562

REF	QTY	DESCRIPTION	37TP	40TP	42TP	45TP	47TP	50TP
1	1	CLEVIS CAP 1"PIN	492678	492680	492706	492708	492707	492709
3	1	PISTON	494732	494730	494739	494740	494745	494760
7&8	1	PIN (2) 1"DIA.	640091	640091	638665	638665	638665	638665
16	1	THRD. LOCK	498006	498006	498006	498006	498006	498006
17	1	ROD CLEVIS 1" PIN	492652	492652	492654	492654	492654	492654
18	1	SET SCREW	148390	148390	148390	148390	148390	148390
20	8	NUT TIE ROD	128271	128271	128271	128271	129090	129090
21	1	STR. CONTROL	638657	638657	638658	638658		
25	1	NUT PISTON	130559	130559	130781	130781	130781	130781
27	1	PLUG	186562	186562	186562	186562	186562	186562

PLEASE SEE REVERSE SIDE FOR PARTS NOT LISTED ABOVE



REF	QTY	DESCRIPTION	STROKE	25TP	27TP	30TP	32TP	35TP
2	1	ROD CAP	8 ASAE	492673	492661	492670	492664	492677
4	1	ROD	8 ASAE	492699	492180	492700	492700	492700
5	1	TUBE WELD'T	8 ASAE	464263	464264	464265	464266	464267
6	4	TIE ROD	8 ASAE	492218	492278	492278	492338	492338
29	1	SEAL KIT (ROD DIA.)	1 1/8 1 1/4	639555	639557	639558	639560	639561

REF	QTY	DESCRIPTION	STROKE	37TP	40TP	42TP	45TP	47TP	50TP
2	1	ROD CAP	8 ASAE	492679	492685	492703	492705	492715	492723
4	1	ROD	8 ASAE	492800	492800	492698	492698	494820	494820
5	1	TUBE WELD'T	8 ASAE	464268	464269	464270	464271	464272	464273
6	4	TIE ROD	8 ASAE	492338	492338	492338	492338	492321	492321
29	1	SEAL KIT (ROD DIA.)	1 3/8 1 1/2	639563	639564	639567	639568	639569	639570